

Height Gage

A standard measuring tool of industry

ABSOLUTE Digimatic Height Gage SERIES 570 — Standard model

MeasurLink® ENABLED

Data Management Software by Mitutoyo

- ABS and INC measurement modes allow efficient operation.
- Rigid structure makes instrument suitable for use in severe work environments.
- The +/- measurement function widens the application range.
- Allows integration into statistical process control and measurement systems. (Refer to page A-3.)
- Battery: SR44 (1 pc.), **938882**. For initial operational checks (standard accessory)
- Battery life is 5,000 hours under normal use.
- Carbide-tipped scriber (**900173** for **570-227** and **244**, and **905200** for **570-230** and **248**) is provided as a standard accessory. (Standard accessory: scriber clamp **901338** for **570-227** and **244**, and **05GZA033** for **570-230** and **248**)
- When a dial indicator or test indicator is used with **570-227** and **244**, the dedicated holding bar (**953639**, overall length 50 mm) is recommended for use. However, MPE (Maximum permissible error) may be larger because the measurement point is further from the beam.
- For precision Black Granite Surface Plates, refer to page E-49.



570-227

SPECIFICATIONS

Metric

Order No.	Range (mm)	Resolution (mm)	Fine feed (mm)	Maximum permissible error E_{MPE} (mm)*	Height (mm)	Mass (kg)
570-227	0 - 200	0.01	4	±0.03	355	1.4
570-230	0 - 1000		6	±0.07	1260	16.8

* Maximum permissible error, E_{MPE} is the term (notation) used in JIS B 7517: 2018, revised based on ISO/TR 14253-6: 2012.

Inch / Metric

Order No.	Range (in)	Resolution	Fine feed (in)	Maximum permissible error E_{MPE} (in)*	Height (mm)	Mass (kg)
570-244	0 - 8	0.0005 in/0.01 mm	0.16	±0.002	355	1.4
570-248	0 - 40		0.24	±0.003	1260	16.8

* Maximum permissible error, E_{MPE} is the term (notation) used in JIS B 7517: 2018, revised based on ISO/TR 14253-6: 2012.

MeasurLink® ENABLED

Data Management Software by Mitutoyo

Products equipped with the measurement data output function can be connected to the measurement data network system MeasurLink® (refer to page A-25 for details).

ABSOLUTE™

Functions

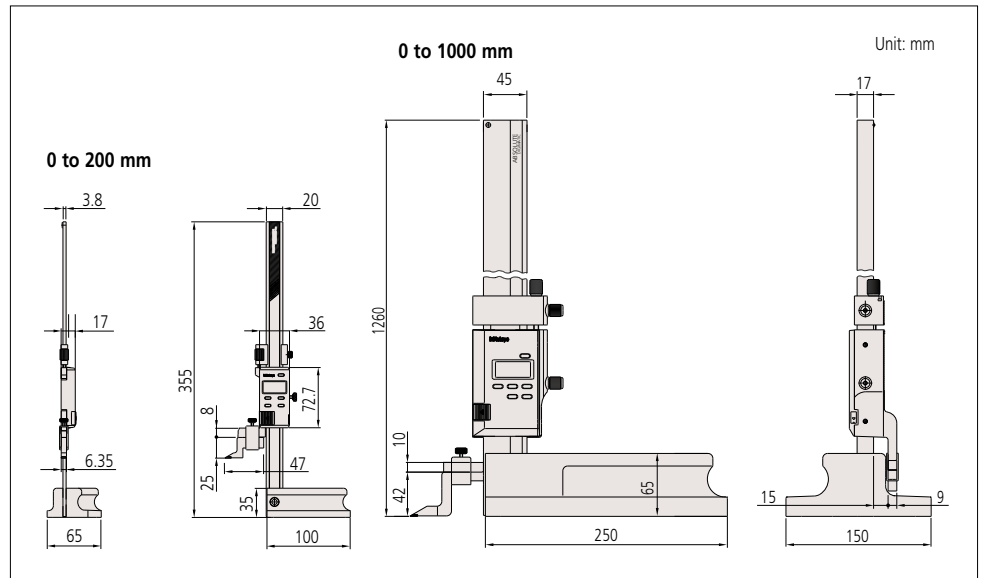
Zero-setting
 +/- directional measurement
 Data hold
 Data output
 Presetting
 inch/mm reading (inch/mm models)
 Preset value memory
 Origin restoration
 Low battery voltage alert
 Counting value composition error alert

Optional Accessories

For details, refer to page A-21.

- Connecting cables for **IT/DP/MUX**
905338: SPC cable with data button (1 m)
905409: SPC cable with data button (2 m)
- USB Input Tool Direct
06AFM380F: SPC cable for **USB-ITN-F** (2 m)
- Connecting cables for **U-WAVE-T**
02AZD790F: SPC cable with data button (160 mm)
02AZE140F: SPC cable for foot switch

DIMENSIONS



D